

# 12 MM BORE STAINLESS STEEL METRIC CYLINDER

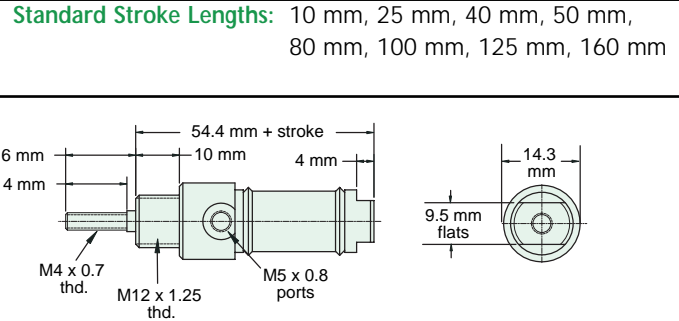


## M-SDR-08-□-□

Double Acting



**Mount:** Stud  
**Type:** Rotating Rod  
**Options:** B, V



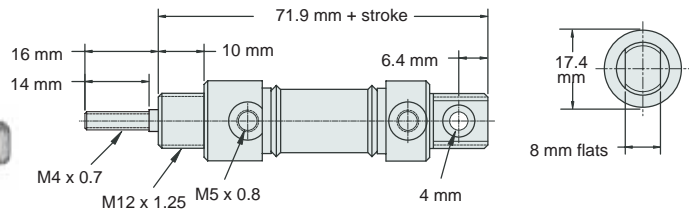
Nut included, but not shown on drawing

## M-UDR-08-□-□

Double Acting



**Mount:** Universal  
**Type:** Rotating Rod  
**Options:** B, V



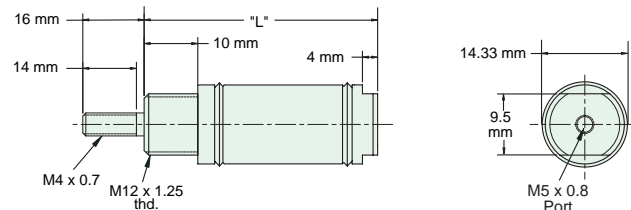
Furnished without nut(s). Order Part No. NM10-125.

## M-SSR-08-□-□

Single Acting



**Mount:** Stud  
**Type:** Rotating Rod  
**Options:** B, V



Nut included, but not shown on drawing

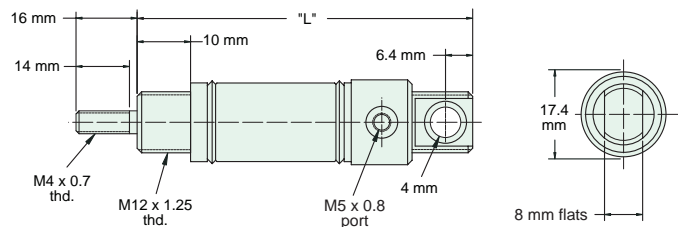
"L" (mm) for Standard Strokes						
Stroke	10	25	40	50	80	100
	56	83	120	130	193	224

## M-USR-08-□-□

Single Acting



**Mount:** Universal  
**Type:** Rotating Rod  
**Options:** B, V



Furnished without nut(s). Order Part No. NM10-125.

"L" (mm) for Standard Strokes						
Stroke	10	25	40	50	80	100
	73	100	137	141	210	241